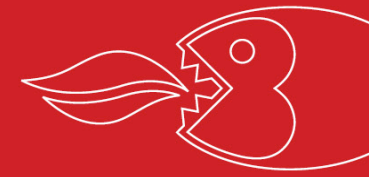


BCG90S

Gas Cooktop 900mm



Features

- Stainless Steel
- Cast Iron Pan Supports
- Flame failure device
- One piece stainless steel hob
- Front controls
- Electric Ignition
- Gas inlet located rear left hand side

Gas Burners

- 1 x 14 MJ/h triple ring wok Burner
- 2 x 6.0 MJ/h semi rapid burner
- 1 x 4.5 MJ/h auxiliary burner
- 1 x 10.5 MJ/h rapid Burner

Product Dimensions

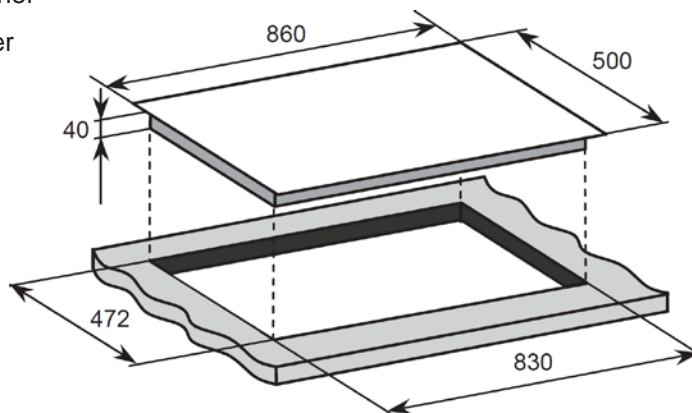
Dimensions: 860mm (L) x 500mm (B) x 90mm (D)

Cut out Dimensions: 830mm (L) x 472mm x (B)

2 Year Warranty

Standard accessories

- LPG conversion jets
- Regulator



EAN 9 329113 001768