

**User Manual for your**

# **GEH6018**

## **Cooker Hood**



***NOTE: This User Instruction Manual contains important information, including safety & installation points, which will enable you to get the most out of your appliance. Please keep it in a safe place so that it is easily available for future reference.***

# CONTENTS

**YOUR COOKER HOOD'S SPECIFICATIONS .....2**

**IMPORTANT SAFETY INFORMATION.....3-4**

**CARING FOR THE ENVIRONMENT.....5**

**USING YOUR COOKER HOOD.....6**

**MAINTAINING AND CLEANING YOUR COOKER HOOD .....7-9**

**INSTALLATION INSTRUCTIONS .....10-11**

**ELECTRICAL CONNECTION.....10**  
**INSTALLING THE COOKER HOOD.....11**

***TROUBLESHOOTING* .....12**

**CONDITIONS OF GUARANTEE.....13**

HT 10/10/06

## Specifications of your GEH6018 Cooker Hood

### ***Congratulations on purchasing a Cooker Hood!***

To fully enjoy using your appliance long into the future, please firstly familiarise yourself with its specifications, safety advice and operational instructions included in this manual. You will also need this manual to ensure that your Cooker Hood has been installed properly.

### ***DIMENSIONS***

Width: 600 mm  
Depth: 450 mm (extended), 280 mm (encased)  
Height: 175 mm

### ***Your stainless steel Cooker Hood is fitted with:***

- Slider control operation
- 2 Metallic grease filters
- 3 speeds
- 2 lights

Extraction capacity – 440 m<sup>3</sup>/hr

Optional Extra: 1 x Pair of ST1 Carbon filters for air recirculation.

**NOTE: PLEASE NOTE THAT YOUR COOKER HOOD CAN BE USED EITHER IN RECIRCULATION MODE OR IN EXTRACTION MODE. TO USE THE HOOD IN RE-CIRCULATION MODE, YOU WILL NEED TO FIT THE CARBON FILTER.**

**IF YOU WANT TO USE YOUR COOKER HOOD IN EXTRACTOR MODE, YOU WILL NEED TO FIT DUCTING (DIAMETER OF 125MM) TO THE SPIGOT (SEE INSTALLATION DIAGRAM) AND WORK IT THROUGH A HOLE OF 130MM SO THAT IT IS EXPELLING FUMES THROUGH A DEDICATED FLUE SYSTEM THAT ISN'T COMBINED WITH OTHER EXHAUSTS.**

**Important Safety Information: Please Read this before installing & using.**

- ***Any installation work must be carried out by a qualified electrician or competent person.***

- ***The hood must be installed in accordance with the installation instructions and all measurements followed.***

- **If the cooker hood is installed for use above a gas appliance then the provision for ventilation must be in accordance with the Gas Safety Codes of Practice BS.6172, BS.5440 & BS.6891 (Natural Gas) and BS.5482 (LP Gas) 1994, the Gas Safety (Installation & Use) Regulations, the Building Regulations issued by the Department of the Environment, the Building Standards (Scotland) (Consolidated) Regulations issued by the Scottish Development Dptmt.**



- **It is dangerous to alter the specifications or to modify this product in any way. Do not tamper with it or attempt to alter it in the attempt to customise it further.**



- **When installing the hood, ensure that the following recommended distances are being observed between the cooker top and the bottom of the cooker hood:**

✓ **Electric cookers:**  
**600 mm**

✓ **Gas cookers:**  
**600 mm**

**\* NOTE - DO NOT SET YOUR COOKER HOOD LESS THAN 600mm ABOVE YOUR COOKER!**

- **When installed between adjoining wall cabinets, the cabinets must not overhang the hob and their undersides must be at least 50 mm off from the hob edges.**
- **The edges of the cooker hood are sharp – be mindful of this as you handle your appliance, especially during installation and cleaning. *DO NOT CLEAN IN BEHIND THE GREASE FILTERS!***
- **If the room where the cooker hood is to be used contains a fuel burning appliance such as a central heating boiler then its flue must be of the sealed or balanced flue type.**
- **If other types of flue or appliances are fitted, ensure that there is an adequate supply of air in the room.**
- **When the hood is being used in its extractor function, ensure that the ducting is fire retardant and that there are no bends sharper than 90 degrees as this will reduce the efficiency of the hood.**

**Important Safety Information: Please Read this before installing & using.**

***Ensure that proper***

- 
- **Ensure the ducting for the extractor function has the same diameter as the outlet hole all the way through.**
- ***Keep young children from using, playing with or tampering with the cooker hood. Older children and infirm persons should be supervised if they are using the cooker hood.***
- ***Your cooker hood is for domestic use only.***
- ***Please dispose of the packing material carefully – children are especially vulnerable to it.***
- ***Dirty oil is an even greater fire risk.***
- ***Always put lids on pots and pans when cooking on a gas cooker.***
- ***The manufacturer refuses to accept any responsibility for damages arising to the hood or it's catching on fire from failure to observe fire safety advice in these instructions.***
- ***Remember that when in extraction mode, your cooker hood is removing***



***Ventilation measures are being observed. Note that it removes odours from your room, not steam.***

- **Warning - Always ensure that the cooker hood has been disconnected from the power supply before carrying out any work on the hood, including replacing light bulbs.**
- **If the supply cord is damaged it must be replaced by the manufacturer or service agent in order to avoid hazard.**



- 
- ☒ **Do not connect the ducting system of this appliance to any existing ventilation system which is being used for any other purpose.**
  - ☒ **Do not install above a cooker with a high level grill.**
  - ☒ ***Never leave frying pans unattended during use as overheated fats and oils might catch fire.***
  - ☒ ***Do not leave naked flames under the cooker hood.***

- ☒ **Do not attempt to use the cooker hood if it is damaged in any way. Never attempt to use it without the grease filters**

*fitted or if the filters are excessively greasy!*

- ☒ *Never flambé cook under this cooker hood.*

~~There must be scrupulously added by SO 89 to avoid the risk of fire.  
THE MANUFACTURER DECLINES ALL RESPONSIBILITY IN THE EVENT OF FAILURE TO OBSERVE THE  
INSTRUCTIONS GIVEN HERE FOR INSTALLATION, MAINTENANCE AND SUITABLE USE OF THE HOOD.~~




## Environmental Note

**Note:** Before discarding an old appliance, switch off and disconnect it from the power supply. Cut off and render any plug useless. Cut the cable off directly behind the appliance to prevent misuse. This should be undertaken by a competent person.

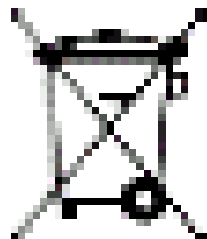
## CONFORMITY TO W.E.E.E. DIRECTIVE

This appliance is marked according to the European directive 2002/96/EC on Waste electrical and Electronic Equipment (WEEE). By ensuring this product is disposed of correctly, you will help prevent potential negative consequences for the environment and human health, which could otherwise be caused by inappropriate waste handling of this product.

The symbol  on the product, or on the documents accompanying the product, indicates that this appliance may not be treated as household waste. Instead it shall be handed over to the applicable collection point for the recycling of electrical and electronic equipment.

Disposal must be carried out in accordance with local environmental regulations for waste disposal.

For more detailed information about treatment, recovery and recycling of this product, please contact your local city office, your household waste disposal service or the shop where you purchased the product.



## Using your Cooker Hood:

# To use your cooker hood:

- 1) Make sure it has been properly installed.
- 2) Find the CONTROL PANEL. It is located centrally on the hood's front surface, on the underside of the unit.
- 3) The CONTROL PANEL contains two rows of switches. These perform separate functions. You will need to understand what both switches do before you attempt to use your cooker hood.

**\* Note: The hood should be switched on at least as soon as you start cooking. It is a good idea to have had it running for 5 minutes prior to cooking and at least 15 minutes after you have finished cooking.**

### One switch controls the FAN SPEED

Slide the switch C-2 from '0' to Position '1' for low speed.

Slide the switch C-2 from '1' to position '2' for mid speed.

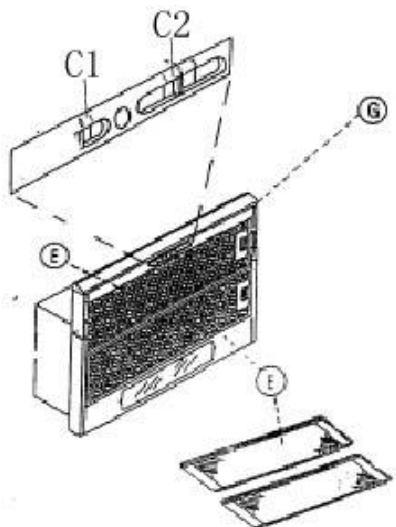
Slide the switch C-2 from '2' to position '3' for high speed.

Switch off the fan by sliding the switch 'C-2' from position '1' to '0'.

**YOU CAN CHANGE THE FAN SPEED AT ANY TIME DURING OPERATION.**

**The other is to control the light.**

Fig. 2



LIGHT ON/OFF switch – Slide the 'C-1' switch in figure above from '0' to '1'.

## Cleaning your Cooker Hood:

**IMPORTANT:** *Before cleaning, always ensure that you have switched your cooker hood OFF at the omni-polar switch, set at the wall from the cable:*

## Cleaning

- ⇒ Clean the external parts with mild liquid detergents on a damp cloth.
- ⇒ Never use abrasive powder, corrosive solvents or brushes.
- ⇒ Never insert pointed objects into the motor's protective grid.
- ⇒ Only clean the control panel and filter grill with a damp cloth and delicate detergents.
- ⇒ Be sure to replace the carbon filters at the recommended intervals. Build up could cause a fire hazard.
- ⇒ Never take out the grease filters and attempt to clean the space above where they are set.

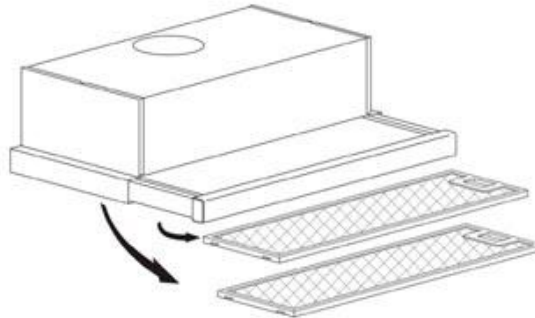
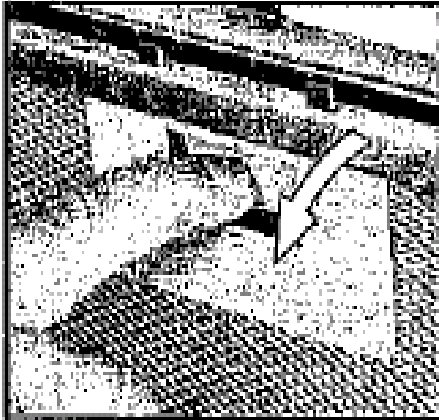
## Anti-Grease Grille

- ⇒ Your cooker hood includes an anti-grease grille which helps absorb vapour-suspended grease particles to protect your kitchen & furniture from greasy residues.
  - ⇒ The metal grille may become inflammable if it becomes saturated with greasy residue.
- ✓ To prevent this fire hazard, the grille should be cleaned regularly (depending on use) every 10-15 days and at least once a month in hot water with



**normal washing-up detergent. DO NOT USE A DISHWASHER TO ACHIEVE THIS.**

## **Maintenance - Cleaning the Anti-grease Filters**



**First remove the grille by pulling down on it. Undo the side catches.**

***You can now clean the anti-grease filter grilles.***

- ✓ **Soak them for about one hour in hot water with a grease-loosening detergent then rinse off thoroughly with hot water.**
  - ✓ **Repeat the process if needed. Refit the grease grille once it has dried.**
- ✓ **Refit the grease grilles when dry.**

***Let the filter grilles dry thoroughly before refitting them.***

## Maintenance – Changing the Light Bulb and Carbon Filter

### a) Changing the LIGHT BULB

- ✓ Disconnect the hood from the power supply.
- ✓ Access the lamp area. Please note that you will have to take off the grease grille at the back to access the lamp area.
- ✓ Always replace burnt-out bulbs with olive-shaped 40 Watt bulbs.
- ✓ After replacing the bulb, put the grease grille back.

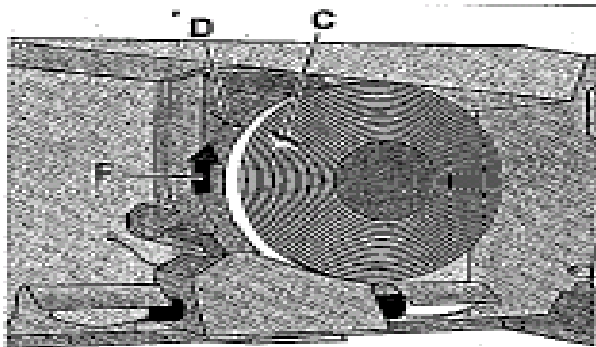
### b) Changing the CARBON FILTER

You will find that one filter will attach over the front of the fan motor (please see figure at bottom of page).

The active carbon filter must be replaced regularly, at least once every four months, to allow normal operation when in recirculation mode.

Before starting to fit the carbon filter, turn the omni-polar switch OFF

**Changing the Carbon Filter – Note: carbon filters cannot be cleaned!**

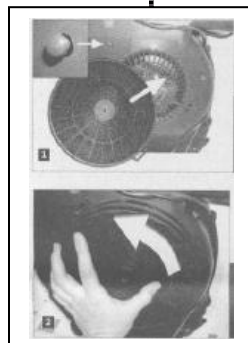
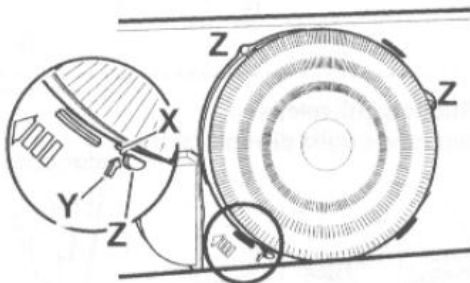


1) Remove the grease filter grilles.

2) Remove the old carbon filter by twisting it anticlockwise until it unlatches from the side of the fan motor.

3) Place the new carbon filter (which has two fixing tongues), turning clockwise so that the tongues latch onto the motor's sides. (Fig. 3 - left).

4) Replace the anti-grease metallic filter grilles.



**NOTE**

If your filter is different (i.e. is the Bayonet Circular-insert type,  
Position the filter P in order to cover the motor protection grille, ensuring

that the 'X' on the filter lines up with the 'Y' on the conveyor. Then turn clockwise. Reverse to dismount

## INSTALLATION INSTRUCTIONS - Electrical

Before installation and usage, read all the instructions and make sure that the voltage (V) and the frequency (Hz) indicated on the identification plate (found inside your Cooker Hood) and all the data inside the appliance are exactly the same as the voltage and frequency in your home.

NOTE: The manufacturer declines all responsibility in the event of failure to observe all the accident-prevention regulations in force which are necessary for normal use and regular operation of the electric system.



### ELECTRICAL CONNECTION

Your cooker hood is intended for fitted with power cord & plug for connection to power outlet.

- The power cable must be connected to the terminals marked L (live) and N (neutral) in the hood and fixed with a cable clamp.
- The cooker hood's power cable must be fitted upstream from the electrical connection using an omni-polar switch with a contact distance of at least 3mm.

**NOTE: (UK only) WARNING – THIS APPLIANCE MUST NOT BE EARTHED. It should only be connected by a competent person using fixed wiring via a DOUBLE POLE SWITCHED FUSED SPUR OUTLET.**

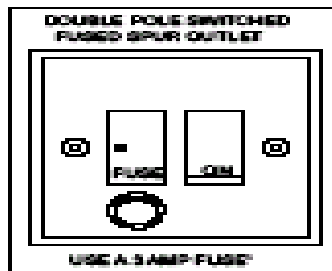
We recommend that the appliance is connected by a qualified electrician who is a member of the N.I.C.E.I.C. and who will comply with the I.E.E. and local regulations. The wires in the mains lead are coloured in accordance with the following U.K. code:

**Blue= Neutral, Brown = Live, Green/Yellow = Ground**

**If you can only find two wires in the cable (blue and brown), neither must be connected to the Earth terminal!**

- As the colours of the wires in the appliance's mains lead may not correspond with the coloured markings identifying the terminals in your spur box, please proceed as follows:

- 1) The **BLUE WIRE** must be connected to the terminal marked 'N' (Neutral), or coloured Black.



- 2) The **BROWN WIRE** must be connected to the terminal marked 'L' ('Live'), or coloured RED (Fig. 7 – at left)

## INSTALLATION INSTRUCTIONS – installing your Cooker Hood



**PLEASE NOTE THAT YOU WILL HAVE TO DECIDE BEFORE INSTALLING YOUR COOKER HOOD THAT YOU CAN ADAPT IT AS AN EXTRACTION FAN. IF THIS IS THE CASE, YOU'LL NEED TO ATTACH A SPIGOT ('A' in figure at bottom of page) AND DUCTING. YOU'LL ALSO NEED TO HAVE PREPARED YOUR WALL EXHAUST SYSTEM PROPERLY**

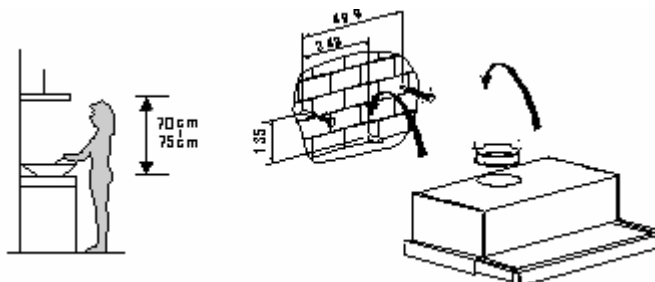
- ⊗ *The cooker hood must not be fitted above stoves with a radiant top plate.*
- ⊗ *We recommend that at least two people install this hood.*
- ⊗ *Do not tile, grout or silicone this hood to the wall.*

**NOTE – YOUR COOKER HOOD COMES WITH THE FOLLOWING FIXING ACCESSORIES:**

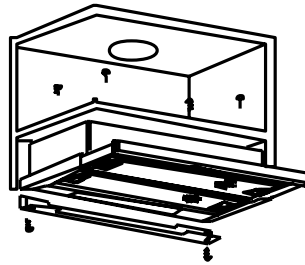
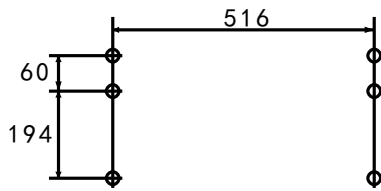
- 1 SPACER    - 4 SCREWS    -RAWLPLUGS

- 1) Your Cooker Hood should only be fitted into the underside of a dedicated cabinet / kitchen unit. **DO NOT** position it any less than 700 mm (70 cm) above the hob or let other cabinets overhang the hob.
- 2) Remove the metal anti-grease grille.
- 3) Drill where indicated. **SEE DIAGRAMS BELOW.** Using a drill with a diameter of 6mm, make holes to line up with the screw holes on the cooker hood's fixing surfaces (see Fig. below).
- 4) Insert raw plugs into the holes and work screws in partway. Adjust your cooker hood so that it is straight using the spacer ('F' in figure below).
- 5) Once you have ensured the unit will be able to sit properly (& is connected to the ducting, if using as an extraction fan), tighten the screws to secure.

A).



B).



## Troubleshooting

***If something has gone wrong with your Cooker Hood, checking against this chart might keep you from having to call for service.***

<b>Symptom</b>	<b>Solution</b>
<b><i>The cooker hood will not start!</i></b>	<ul style="list-style-type: none"> <li>• Check that the hood is connected To the electricity supply.</li> <li>• Check that the fan speed control is Set properly.</li> </ul>
<b><i>The cooker hood is not working Effectively!</i></b>	<ul style="list-style-type: none"> <li>• The fan speed is not set high enough.</li> <li>• The grease filter is dirty.</li> <li>• The kitchen is not ventilated well Enough.</li> <li>• If the hood is set for recirculation, Check that the carbon filters have not expired.</li> <li>• If the hood is set for extraction, check that the ducting and outlets are not Blocked.</li> </ul>

***The cooker hood has switched off  
During operation!***

- **The safety cut-out device has been tripped.**
- **Turn off the hob and then wait for the device to reset.**
- **Note that if you have installed your Cooker hood too low, this will happen. If it happens frequently, it will be damaged.**

## CONDITIONS OF GUARANTEE

Dear Customer,

The conditions of guarantee which apply to your appliance are as follows: This product is guaranteed for 3 years from the date of original purchase. Think Appliances will repair any defect that arises due to faulty manufacturing or workmanship free of charge during this period.

Think Appliances will provide free of charge the parts required to repair the appliance during the warranty period, only if they are fitted by a qualified technician (for this phone Think appliances), for any defect that arises due to faulty materials, manufacturing or workmanship within a period of 3 years from the original purchase date.

An additional and annually renewable insurance scheme for labour is available should you wish to extend the warranty period.

Should any person other than a qualified technician interfere with the appliance, the policy is negated and Think Appliance will be no further liability.

The guarantee covers the appliance for normal domestic use only, unless otherwise stated.

Any claims made under the terms of the guarantee must be supported by the original invoice/bill of sale issued at the time of purchase.

This guarantee is transferable only with the written consent of Think Appliances.

If the appliance fails and is considered either not repairable or uneconomical to repair between twelve months and five years from purchase date, a free of charge replacement will not be offered.

The guarantee for any replacement will only be for the remainder of the guarantee on the original product purchased.

Continued over page.....

This guarantee does not cover:

- 1 Sinks and taps
- 2 Failure to comply with the manufacturer's instructions for use.
- 3 The replacement of cosmetic components or accessories
- 4 Accidental damage or wilful abuse.
- 5 Subsequent loss or damage owing to the failure of the appliance or electrical supply.
- 6 Incorrect installations
- 7 Losses caused by Acts of God, civil war, failure to obtain spare parts, strikes or lockouts
- 8 Filters, fuses, light bulbs, external hoses, damage to bodywork, paintwork, plastic items, covers, baskets, trays, shelves, burner bases, burner caps, decals, corrosion, rubber seals, refrigeration system blockage.

In the course of the work carried out it may be necessary to remove the appliance from its operating position. Whilst all reasonable care will be taken, Think Appliances cannot accept responsibility for damage sustained to any property whatsoever in this process.

This guarantee is in addition to and does not diminish your statutory or legal rights.

If you have any further questions please contact **Think Appliances Pty Ltd**:

**SERVICE DEPARTMENT**

**Phone: 1800 444 357**

**Fax: 1300 133 279**

**Email: [service@thinkappliances.com](mailto:service@thinkappliances.com)**

**SALES DEPARTMENT**

**Phone: 1300 132 824**

**Fax: 1300 660 188**

**Web: [www.thinkappliances.com](http://www.thinkappliances.com)**