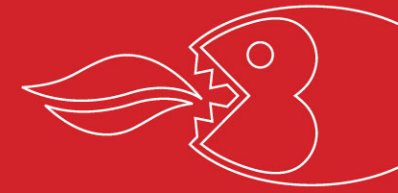


BAMG28TK

Built In Microwave 600mm



Features

- 8 Auto cooking menus
- 5 power levels
- Microwave, grill and combo functions
- Digital control
- 28 litre capacity
- 900W microwave power
- 1100W grill power
- Speed cooking function
- 30 second quick start

Stainless steel front panel, cavity & trim kit

Anti-finger proof finish

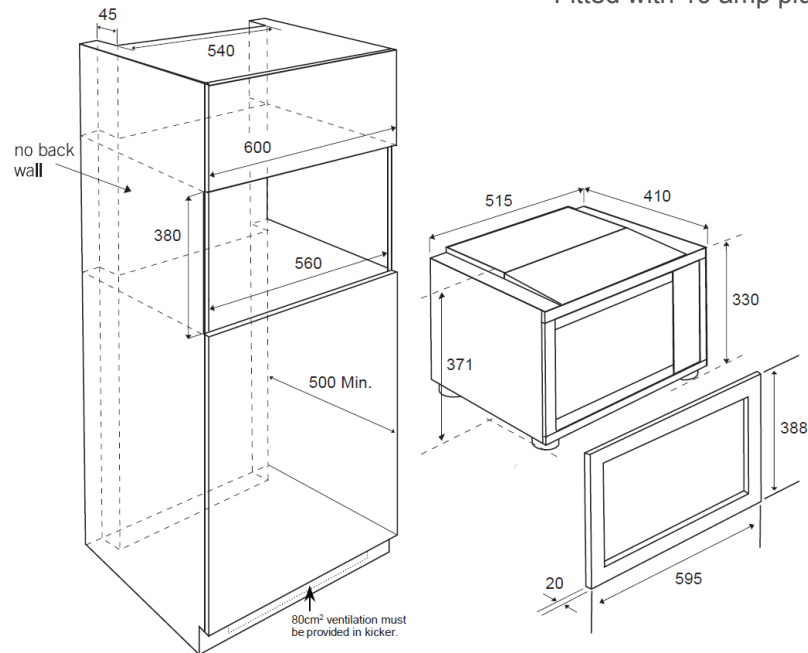
Child safety lock

Standard Accessories

- Glass turntable – 315 mm
- Chrome grill rack

Power

- Total: 1450W (6.04amp)
- Fitted with 10 amp plug + lead



Product Dimensions

595mm (W) x 388mm (H) x 410mm (D) including trim kit

2 Year Warranty

Installation: Not suitable for underbench installation, must be 850mm off the floor