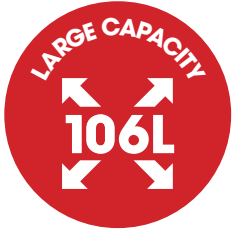


BM90S

900mm Oven

Baumatic



Features

- 106L gross capacity
- 10 Function: fan forced, 3D cooking, top element, fan grill, conventional, full grill, half grill, conventional with fan, bottom element with fan (pizza), defrost
- Touch controls
- Full touch programmable clock
- Memory and fast heat up function
- Catalytic self cleaning liners
- Telescopic runner
- Twin lighting
- Triple glazed glass door
- Safety lock system
- One piece easy clean oven cavity
- Smooth flush mount inner glass door
- Easy removable side racks

Standard Accessories

- 2 chrome oven shelves
- 1 universal baking pan
- 1 grill insert

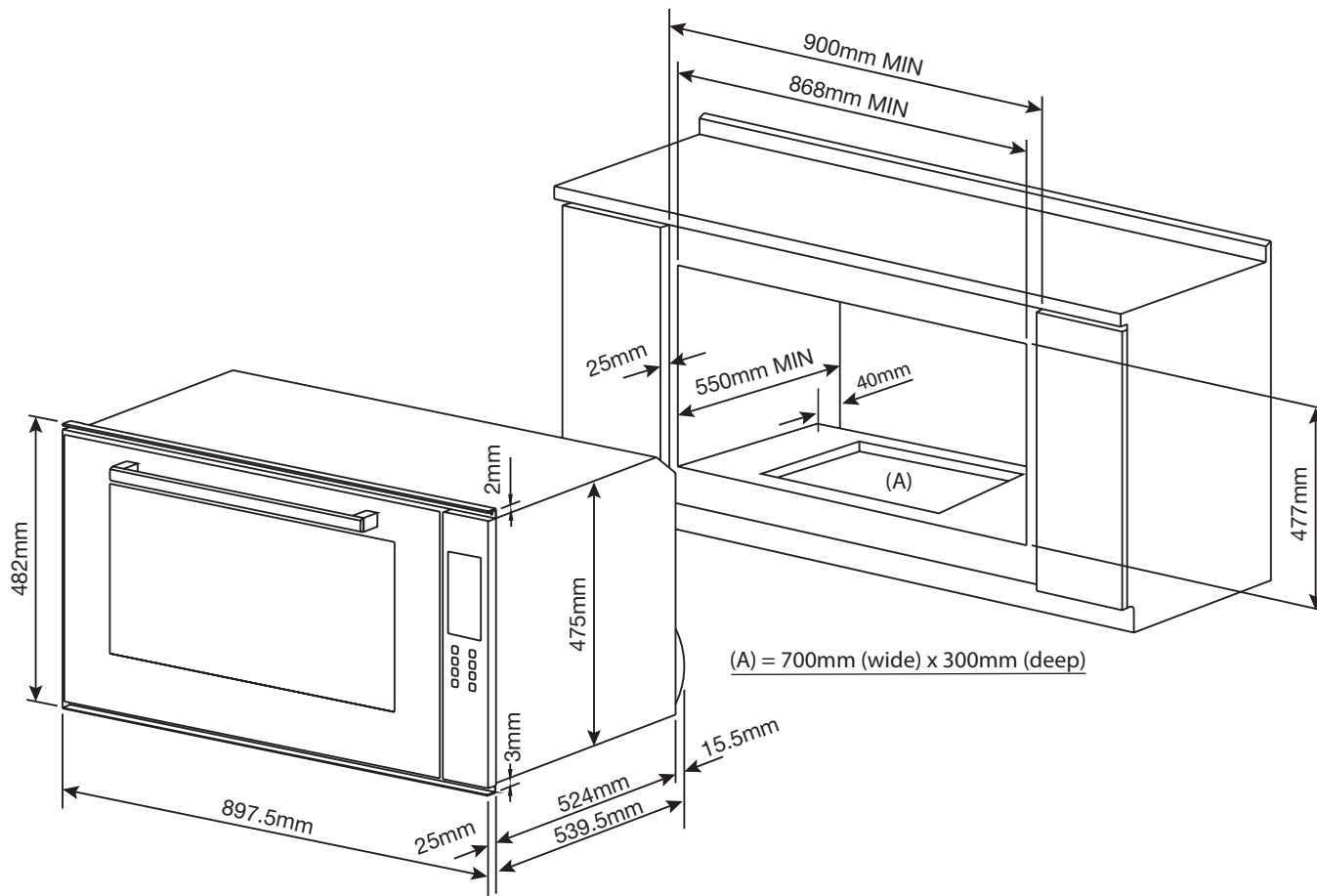
Connection

- Output Power: 3.66Kw (15.25amp) hardwired
- Power: 220-240V ~ 50/60Hz

BM90S

Dimensions & Installation

Baumatic



Product Dimensions

482mm (H) x 898mm (W) x 564.5mm (D)

*Includes 25mm front frame

Important Installation Information

NOTE: Optimum ventilation will ensure cabinets and oven components to remain cooler and prevent possible overheating of the oven.

Please note the recommended rear space (40mm) gap and **(A)**, check out in the supporting shelf of the oven, in order to improve ventilation around the oven. Minimum check out dimension recommendation is 700mm wide x 300mm deep.

Baumatic®