

BSSG64

60cm Gas Cooktop

DESIGN
STUDIO SOLARI
Collection



Features

- 4 Burners
- Cast iron trivets & wok support
- Stainless steel
- Sabaf burners
- Wok triple ring burner
- Electronic ignition
- Flame safety to all burners
- Made in Europe

Cooktop Power

Burner Output (MJ)

- Front Left Position: Wok triple ring – 13.5 Mj/h
- Rear Left Position: semi rapid – 7.1 Mj/h
- Front Right Position: auxiliary – 4.1 Mj/h
- Rear Right Position: rapid – 12.0 Mj/h

Power Specifications

Total connected power: 0.6W

Cooktop power total:

- Natural Gas 36.7 Mj/h
- LPG (Propane) 31.7 Mj/h

Cooktop Amps: 10amp plug & lead

Power: 220-240 volt / 50-60Hz

Gross/net weight: 11.3 kg gross

Standard Accessories

LPG conversion kit

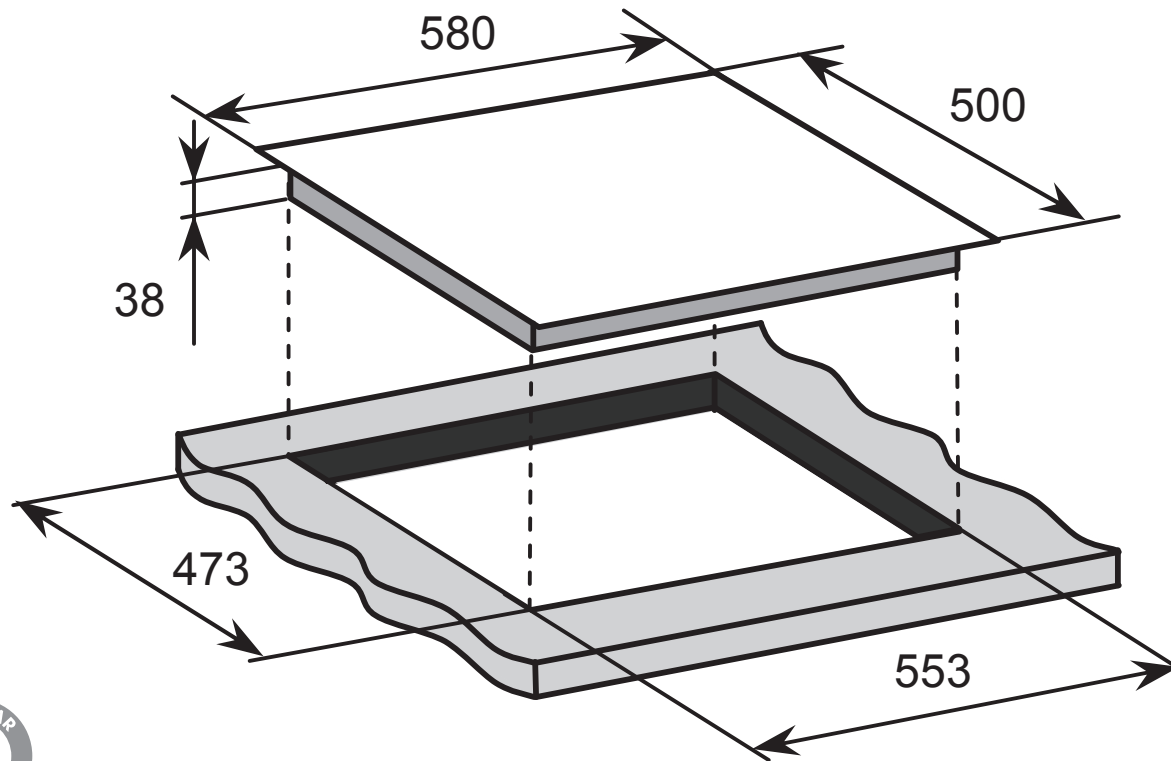
EAN: 9329 11300 1959



BSSG64

60cm Gas Cooktop

DESIGN
STUDIO SOLARI
Collection



Dimensions

Product Dimensions:
580mm W X 500mm D X 38mm H

Cut Out Dimensions:
553mm W X 473mm D

